

# Call for Assistance Kits CFA Series

The Edwards 6538-G5 24 volt Call For Assistance Kit is designed for areas where a call-for-help or an emergency switch is required. The kit consists of a 6536-G5 horn/strobe for audible and visual notification, a 6537 emergency pull cord station, and a 592 transformer. Each component may also be ordered individually.

### 6536-G5 Horn/Strobe

The 6536-G5 Horn/Strobe is designed for use in a single gang 2" (51mm) x 4" (102mm) box typically located over the door. Each unit contains an audible horn signal which generates an 82 dBA sound pressure level at 10 ft. and a 50 cd strobe. See page 6-12.

### 592 Transformer

The Edwards 592 transformer is used to power the horn/strobe. It is equipped with a grounding wire and is suitable for installation in both plastic and metal boxes. See section 7, page 7-25.

### 6537 Pull Cord Switch

The 6537 pull cord station provides emergency call activation and reset. It has a stainless steel face plate with a DPST switch. See page 6-14.

## Features and Specifications

- Kit includes 6536-G5 Horn/Strobe, 592 Transformer and 6537 Pull Cord Switch
- Double pole single throw switch
- Neutral white color
- Fits single gang box
- UL 1638 listed - Horn/Strobe



6

CALL FOR ASSISTANCE

Ordering Information		Transformer		Horn/Strobe Current	Lens Color	dBA at 1m/10ft.	Strobe Candela
Description	Cat. No.	Primary	Secondary				
Call for Assistance Kit	6538-G5	120V AC	24V AC	0.175 A @ 24V AC <sup>1</sup>	Clear	92/82	50
				0.125 A @ 24V DC			
	6538A-G5	120V AC	24V AC	0.175 A @ 24V AC <sup>1</sup>	Amber	92/82	40
				0.125 A @ 24V DC			
	6538B-G5	120V AC	24V AC	0.175 A @ 24V AC <sup>1</sup>	Blue	92/82	17
				0.125 A @ 24V DC			
	6538G-G5	120V AC	24V AC	0.175 A @ 24V AC <sup>1</sup>	Green	92/82	29
				0.125 A @ 24V DC			
	6538R-G5	120V AC	24V AC	0.175 A @ 24V AC <sup>1</sup>	Red	92/82	25
				0.125 A @ 24V DC			

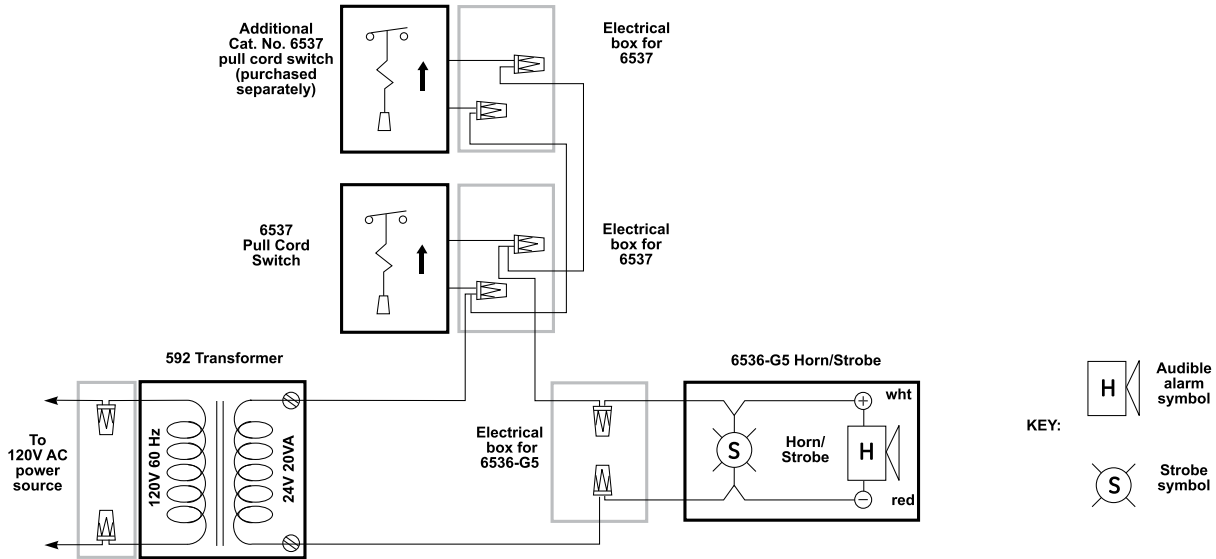
<sup>1</sup>AC voltage frequency is 50/60 Hz



# Call for Assistance Kits CFA Series

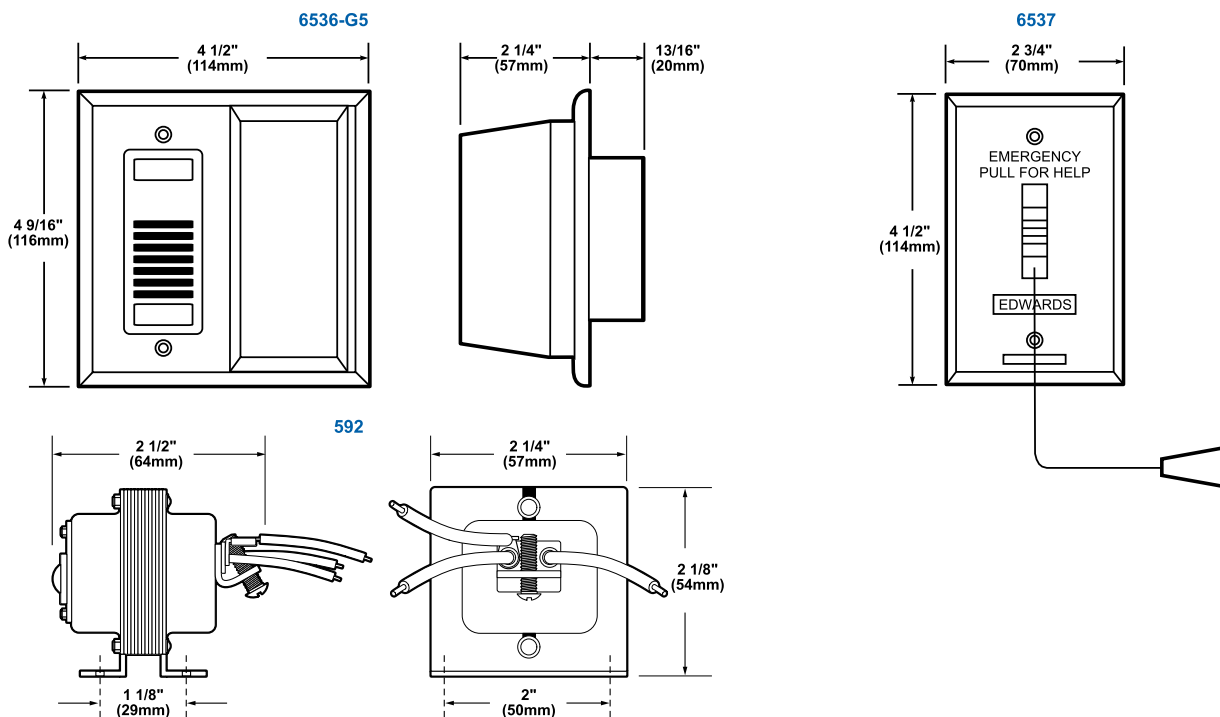
## Technical Information

Connecting 6538-G5 Call for Assistance Kit



## Weights and Dimensions

Cat. No.	Approx. Net Weight (lb.)	Approx. Shipping Weight (lb.)
6538-G5	1.53	1.81
6538A-G5	1.53	1.81
6538B-G5	1.53	1.81
6538G-G5	1.53	1.81
6538R-G5	1.53	1.81



6  
CALL FOR ASSISTANCE